

PARTS LIST

[MX-J100]

* All printed circuit boards and its assemblies are not available as service parts.

Area suffix	
A	----- Australia
UP	----- Korea
US	----- Singapore
UT	----- Taiwan
UY	----- Argentina
UZ	--- Production country mark
U	----- Other Areas

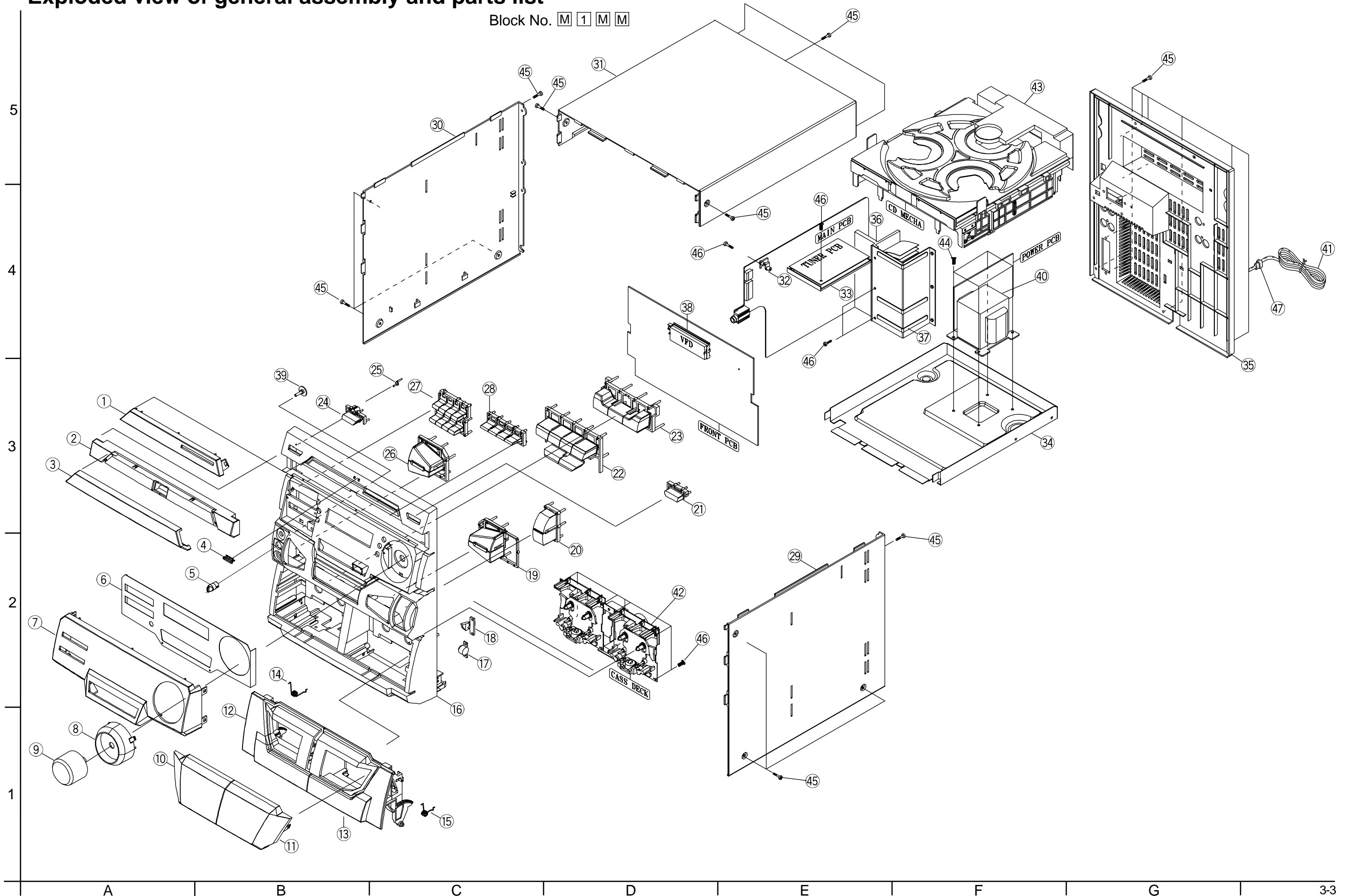
- Contents -

Exploded view of general assembly and parts list	-----	3- 3
CD mechanism assembly and parts list	-----	3- 5
CD changer mechanism assembly and parts list	-----	3- 6
Cassette mechanism assembly and parts list	-----	3- 8
Electrical parts list	-----	3- 9
Packing materials and accessories parts list	-----	3-20

-MEMO-

Exploded view of general assembly and parts list

Block No. M 1 M M



■ Parts list(General assembly)

Block No. M1MM

△	Item	Parts number	Parts name	Q'ty	Description	Area
	1	AH64-00426B	WINDOW-CD	1		
	2	AH64-00414B	DOOR-CD	1		
	3	AH64-00429B	WINDOW-DOOR CD	1		
	4	AH64-00462A	BADGE-JVC	1		
	5	AH64-00417A	MIC VR KNOB	1		
	6	AH63-00107A	SHEET-FRONT	1		
	7	AH64-00430B	WINDOW-VFD	1		
	8	AH61-00271B	CAP-VOLUME	1		
	9	AH64-00422B	KNOB-VOLUME	1		
	10	AH64-00427B	WINDOW-DOORA	1		
	11	AH64-00428B	WINDOW-DOORB	1		
	12	AH64-00412B	CASSETTE LID A	1		
	13	AH64-00413B	CASSETTE LID B	1		
	14	AH61-62004A	SPRING-EJECT A	1		
	15	AH61-62004B	SPRING-EJECT B	1		
	16	AH64-00364B	CABINET-FRONT	1		
	17	AH61-80030A	DAMPER-ASSY	2		
	18	AH59-50001A	LATCH-ASSY	2		
	19	AH64-00421B	KNOB-RECORD	1		
	20	AH64-00423B	KNOB-DUBBING	1		
	21	AH64-00420B	KNOB-CD OPEN	1		
	22	AH64-00415B	KNOB-FUNCTION	1		
	23	AH64-00418B	KNOB-PRESET	1		
	24	AH64-00425B	KNOB-POWER	1		
	25	AH67-00035A	LENS-POWER	1		
	26	AH64-00440B	KNOB-PROGRAM	1		
	27	AH64-00424A	KNOB-SLEEP	1		
	28	AH64-00416A	KNOB-DISC	1		
	29	AH64-00432A	CABINET-SIDE R	1		
	30	AH64-00431A	CABINET-SIDE L	1		
	31	AH64-00443A	CABNET-TOP	1		
	32	AH61-00021A	HOLDER-PCB	1		
	33	AH61-20540A	HOLDER-TUNER	1		
	34	AH64-30416A	CABINET-BOTTOM	1		
	35	AH64-00365B	CABINET-REAR	1		
	36	AH62-00023A	HEAT SINK-MAIN	1		
	37	AH61-00250A	BRKT-H/SINK	1		
	38	AH61-00252A	HOLDER-VFD	1		
	39	AH61-00380A	SHAFT-H/PHONE	1		
△	40	AH26-00054C	POWER TRANS	1		UP
△		AH26-00054E	POWER TRANS	1		A
△		AH26-00054F	POWER TRANS	1		U,US,UT,UY,UZ
△	41	QMP39F0-183	POWER CORD	1		UZ,A,U,US
△		QMP7350-150	POWER CORD	1		UT
△		QMPS050-183-JC	POWER CORD	1		UY
△		VMP0121-001	POWER CORD	1		UP
	42	-----	DECK CASEETTE	1		
	43	-----	CD MECHANISM	1		

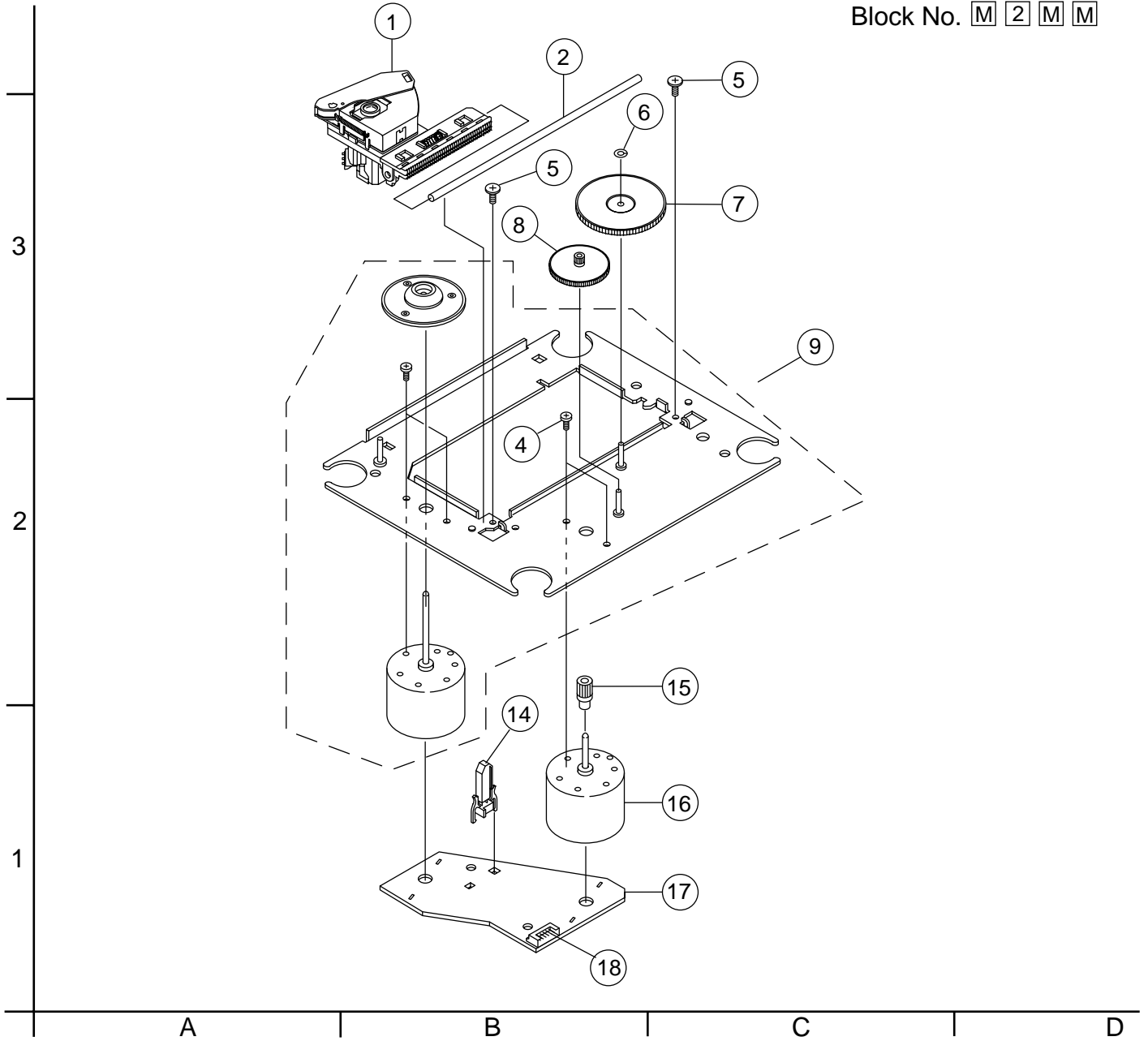
■ Parts list(General assembly)

Block No. M1MM

△	Item	Parts number	Parts name	Q'ty	Description	Area
	44	QYSBSF4008Z	TAPPING SCREW	4		
	45	QYSDSF3008N	TAPPING SCREW	19		
	46	QYSBSF3008Z	TAPPING SCREW	12		
△	47	QZW0033-001	STRAIN RELIEF	1		

CD mechanism assembly and parts list

Block No. M 2 M M



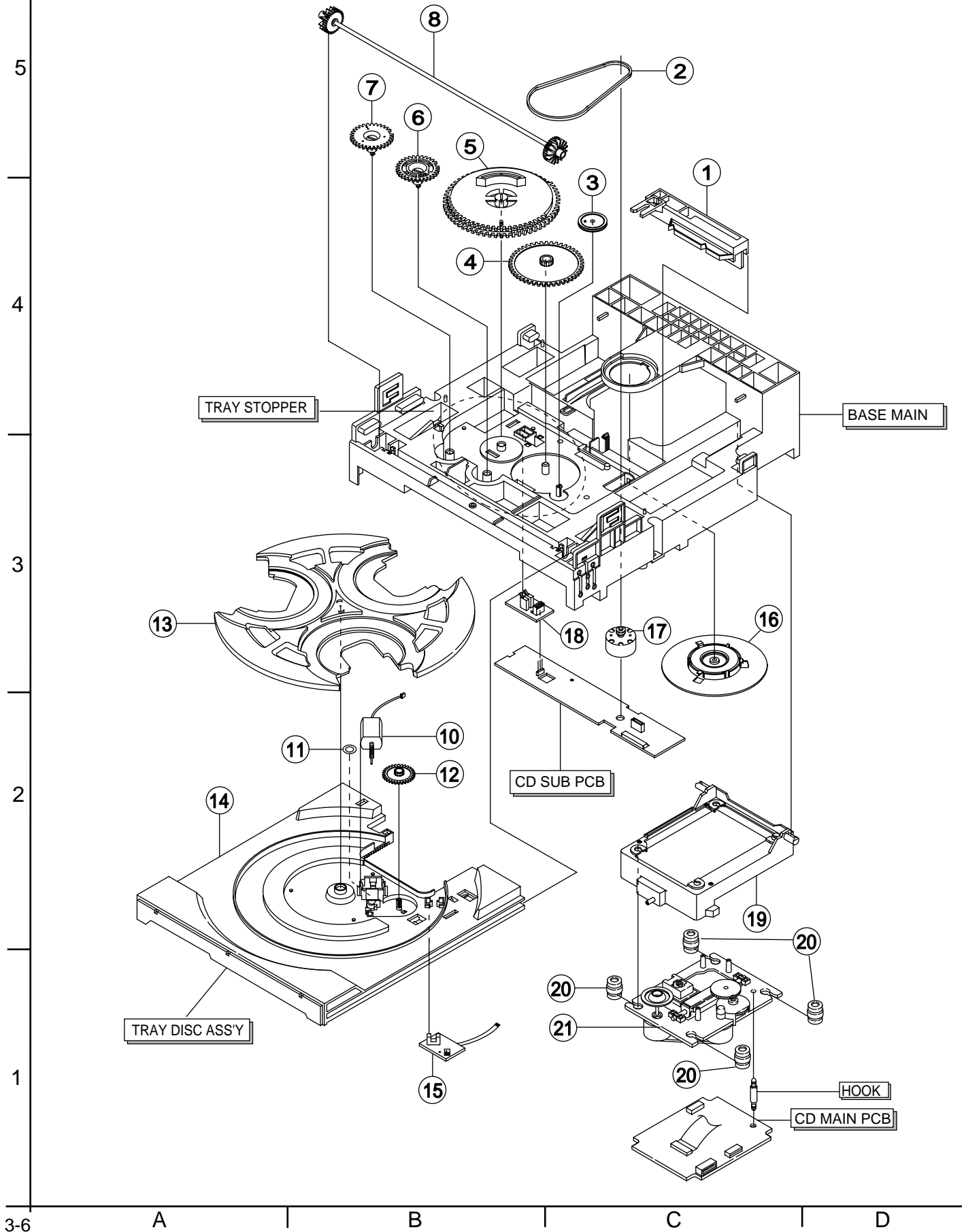
■ Parts list(CD mechanism)

Block No. M2MM

Item	Parts number	Parts name	Q'ty	Description	Area
1	AH30-00007A	OPTICAL PICK-UP	1		
2	AJ70-00601A	SHAFT-PU	1		
4	AJ60-00601D	SCREW	2		
5	6003-000294	SCREW	2	SHAFT	
6	AJ60-00608A	WASHER	1	PLAIN	
7	AJ66-00006A	GEAR(C)	1		
8	AJ66-00005A	GEAR(B)	1		
9	AH91-60150C	CHASSIS BASE	1		
14	3409-001078	LEAF SWITCH	1		
15	AJ66-00004A	GEAR(A)	1	FEED	
16	AJ31-00601E	MOTOR-FEED	1		
17	AJ41-00601S	MOTOR-PCB ASSY	1		
18	AJ37-00601A	CONNECTOR	1		

CD changer mechanism assembly and parts list

Block No. M 3 M M

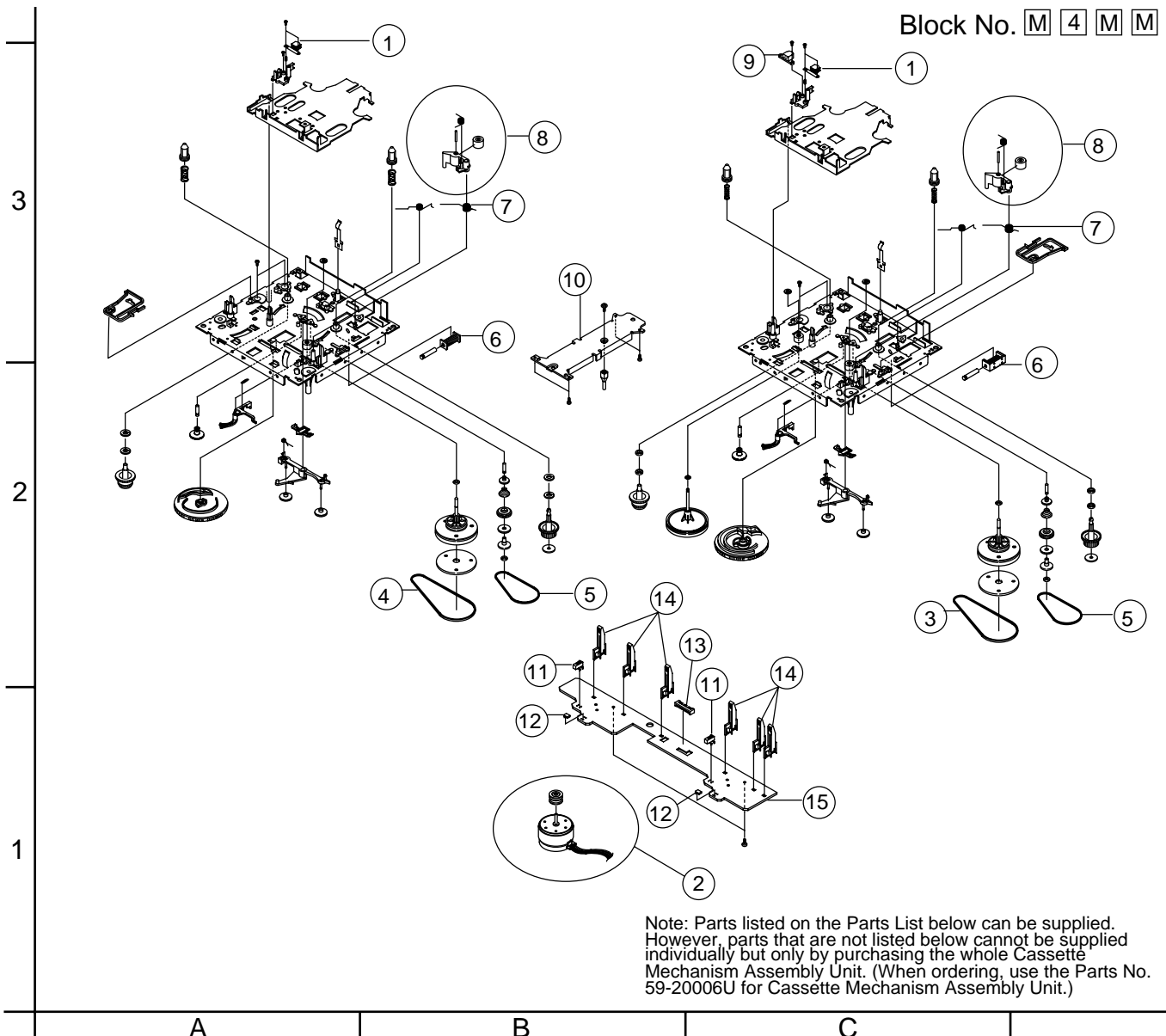


■ Parts list(CD changer mechanism)

Block No. M3MM

△	Item	Parts number	Parts name	Q'ty	Description	Area
	1	AH66-80022A	SLIDER CAM	1		
	2	AH66-60034A	ROAD BELT	1		
	3	AH66-20186A	PULLEY GEAR	1		
	4	AH66-20187A	ROAD GEAR	1		
	5	AH66-20188A	CAM GEAR	1		
	6	AH66-20189A	TRAY GEAR	1		
	7	AH66-20190A	CONVERT GEAR	1		
	8	AH66-20191A	SYNCRO GEAR	1		
	10	AH59-10098A	WORM-MOTOR ASSY	1		
	11	AH69-20044A	MOTOR CUSHION	1		
	12	AH66-20193A	ROULETTE GEAR	1		
	13	AH66-90056A	ROULETTE TRAY	1		
	14	AH66-90055A	DISK TRAY	1		
	15	AH59-10099A	SENSOR PCB ASSY	1		
	16	AH59-10100B	TABLE CHUCK ASS	1		
	17	AH59-10101A	MOTOR PULLY	1	ASS'Y PARTS	
	18	-----	SWITCH BOARD	1		
	19	AH66-30086A	LIFTER LEVER	1		
	20	AH73-10016A	RUBBER CUSHION	4		
	21	-----	CD MECHANISM	1		

Cassette mechanism assembly and parts list



Note: Parts listed on the Parts List below can be supplied individually but only by purchasing the whole Cassette Mechanism Assembly Unit. (When ordering, use the Parts No. 59-20006U for Cassette Mechanism Assembly Unit.)

Parts list(Cassette mechanism)

Block No. M4MM

Item	Parts number	Parts name	Q'ty	Description	Area
1	AH81-00141A	R/P HEAD	2	TC881CB	
2	AH81-00142A	C.MOTOR ASS'Y	1	ADR2400-SHU2L	
3	AH81-00143A	MAIN BELT 1	1	ADR2400-MAIN76.	
4	AH81-00144A	MAIN BELT 2	1	ADR2400-MAIN64.	
5	AH81-00101A	SUB BELT	2	ADR2400-FR34.7	
6	AH81-00102A	SOLENOIDE	2	ADR2400-1	
7	AH81-00282A	SPRING	2	S/P,R/P(F)	
8	AH81-00283A	PINCH LOLLER	2	ASS'Y PARTS	
9	AH81-00284A	E-HEAD	1	TC2131F	
10	AH81-00285A	MOTOR BRACKET	1		
11	AH81-00286A	LEAF SWITCH	2	ADR2400-MODE	
12	AH81-00287A	PHOTO SENSOR	2	ADR2400-SENSOR	
13	AH81-00288A	CONNECTOR	1	ADR2400-16	
14	AH81-00289A	LEAF SWITCH	6	ADR2400-MXS0022	
15	AH81-00290A	P.C.BOARD	1		

Electrical parts list

■ Electrical parts list(Main Board)

Block No. 01

△	Item	Parts number	Parts name	Remarks	Area	△	Item	Parts number	Parts name	Remarks	Area
	A-DEC	AH39-20002D	CONNECTOR				AR 32	2001-000290	C RESISTOR		
	AC 1	2201-000557	C CAPACITOR				AR 33	2001-000780	C RESISTOR		
	AC 2	2401-000419	E CAPACITOR				AR 34	2001-000429	C RESISTOR		
	AC 3	2201-000368	C CAPACITOR				AR 35	2001-000429	C RESISTOR		
	AC 4	2401-001164	E CAPACITOR				AR 36	2001-000440	C RESISTOR		
	AC 5	2201-000659	C CAPACITOR				AR 37	2001-000591	C RESISTOR		
	AC 6	2401-000357	E CAPACITOR				AR 38	2001-000429	C RESISTOR		
	AC 7	2401-000357	E CAPACITOR				AR 39	2001-000429	C RESISTOR		
	AC 8	2202-000817	C CAPACITOR				AR100	2001-000449	C RESISTOR		
	AC 10	2202-000854	C CAPACITOR				AR200	2001-000290	C RESISTOR		
	AC 11	2202-000854	C CAPACITOR				AR201	2001-000290	C RESISTOR		
	AC 13	2202-000817	C CAPACITOR				AR204	2001-000734	C RESISTOR		
	AC 14	2201-000368	C CAPACITOR				AR205	2001-000734	C RESISTOR		
	AC 15	2201-000659	C CAPACITOR				CCW 1	3710-001567	CONNECTOR		
	AC 16	2401-000419	E CAPACITOR				CCW 2	3710-001571	CONNECTOR		
	AC 17	2201-000557	C CAPACITOR				CON 1	AH39-50001L	LEAD-FASTEN		
	AC 18	2401-001164	E CAPACITOR				DC 1	2301-000412	C CAPACITOR		
	AC 20	2301-000375	C CAPACITOR				DC 2	2301-000379	C CAPACITOR		
	AC 21	2301-000375	C CAPACITOR				DC 3	2301-000404	C CAPACITOR		
	AC 22	2401-001092	E CAPACITOR				DC 4	2301-000442	C CAPACITOR		
	AC 23	2401-002180	E CAPACITOR				DC 5	2201-000368	C CAPACITOR		
	AC 24	2401-002180	E CAPACITOR				DC 6	2201-000368	C CAPACITOR		
	AC 25	2401-001889	E CAPACITOR				DC 7	2401-001912	E CAPACITOR		
	AC 26	2401-000871	E CAPACITOR				DC 9	2301-000390	C CAPACITOR		
	AC100	2401-001912	E CAPACITOR				DC 10	2301-000379	C CAPACITOR		
	AC102	2401-000419	E CAPACITOR				DC 11	2301-000370	C CAPACITOR		
	AD 1	1N4148	GE DIODE				DC 12	2301-000370	C CAPACITOR		
	AD 2	1N4148	GE DIODE				DC 13	2401-001022	E CAPACITOR		
	AD 3	1N4148	GE DIODE				DC 14	2401-001511	E CAPACITOR		
	AD10	1N4148	GE DIODE				DC 15	2401-000240	E CAPACITOR		
△	AIC 1	STK402-070	IC	POWER AMP			DC 16	2301-000474	C CAPACITOR		
	AJACK	3716-000209	TERMINAL BLOCK				DC 17	2301-000393	C CAPACITOR		
	AJW 1	AH39-00157D	LEAD-CONNECTOR				DC 18	2301-000375	C CAPACITOR		
	AQ 1	KSD471-YTA	TRANSISTOR				DC 19	2401-002180	E CAPACITOR		
	AQ 2	KSD471-YTA	TRANSISTOR				DC 20	2401-001954	E CAPACITOR		
	AQ 6	KSR2003TA	TRANSISTOR				DC 21	2401-001022	E CAPACITOR		
	AQ 7	KSA708-YTA	TRANSISTOR				DC 22	2202-000781	C CAPACITOR		
	AQ 8	KSA928A	TRANSISTOR				DC 23	2401-001511	E CAPACITOR		
	AQ 9	KSD471-YTA	TRANSISTOR				DC 24	2401-000795	E CAPACITOR		
	AQ 10	KSD471-YTA	TRANSISTOR				DC 25	2401-001022	E CAPACITOR		
	AR 1	2001-000429	C RESISTOR				DC 26	2201-000674	C CAPACITOR		
	AR 2	2001-000773	C RESISTOR				DC 27	2301-000400	C CAPACITOR		
	AR 3	2001-000273	C RESISTOR				DC 31	2401-001080	E CAPACITOR		
	AR 4	2001-000281	C RESISTOR				DC 32	2401-001022	E CAPACITOR		
	AR 5	2001-000864	C RESISTOR				DC 33	2401-001912	E CAPACITOR		
	AR 6	2001-000924	C RESISTOR				DC 34	2401-001080	E CAPACITOR		
	AR 7	2001-000864	C RESISTOR				DC 36	2201-000674	C CAPACITOR		
	AR 8	2001-001153	C RESISTOR				DC 37	2301-000407	C CAPACITOR		
	AR 9	2003-000390	OM RESISTOR				DC 38	2401-001022	E CAPACITOR		
	AR 10	2003-000390	OM RESISTOR				DC 39	2401-001511	E CAPACITOR		
	AR 11	2003-000390	OM RESISTOR				DC 40	2202-000781	C CAPACITOR		
	AR 12	2003-000390	OM RESISTOR				DC 41	2401-001022	E CAPACITOR		
	AR 17	2001-000028	C RESISTOR				DC 42	2301-000375	C CAPACITOR		
	AR 18	2001-000890	C RESISTOR				DC 43	2202-000781	C CAPACITOR		
	AR 19	2001-000793	C RESISTOR				DC 44	2401-002180	E CAPACITOR		
	AR 20	2001-000864	C RESISTOR				DC 45	2202-000781	C CAPACITOR		
	AR 23	2001-000273	C RESISTOR				DC 47	2301-000400	C CAPACITOR		
	AR 24	2001-000429	C RESISTOR				DC 48	2202-000796	C CAPACITOR		
	AR 25	2001-000780	C RESISTOR				DC 49	2401-000240	E CAPACITOR		
	AR 26	2001-000290	C RESISTOR				DC 50	2401-001511	E CAPACITOR		
	AR 27	2001-000281	C RESISTOR				DC 51	2301-000393	C CAPACITOR		
	AR 30	2003-000689	OM RESISTOR				DC 52	2401-001022	E CAPACITOR		
	AR 31	2003-000689	OM RESISTOR				DC 54	2301-000390	C CAPACITOR		

■ Electrical parts list(Main Board))

Block No. 01

△	Item	Parts number	Parts name	Remarks	Area	△	Item	Parts number	Parts name	Remarks	Area
	DC 55	2301-000370	C CAPACITOR				DR 23	2001-000003	C RESISTOR		
	DC 56	2301-000370	C CAPACITOR				DR 24	2001-000786	C RESISTOR		
	DC 57	2301-000379	C CAPACITOR				DR 25	2001-000890	C RESISTOR		
	DC 58	2301-000474	C CAPACITOR				DR 26	2001-000702	C RESISTOR		
	DC 59	2401-000438	E CAPACITOR				DR 27	2001-000325	C RESISTOR		
	DC 60	2401-000438	E CAPACITOR				DR 28	2001-000290	C RESISTOR		
	DC 61	2401-001022	E CAPACITOR				DR 40	2001-000449	C RESISTOR		
	DC 62	2401-001912	E CAPACITOR				DR 41	2001-000734	C RESISTOR		
	DC 63	2202-000821	C CAPACITOR				DR 42	2001-000591	C RESISTOR		
	DC 64	2202-000821	C CAPACITOR				DR 43	2001-000258	C RESISTOR		
	DC 70	2401-001895	E CAPACITOR				DR 47	2001-000522	C RESISTOR		
	DC 71	2202-000781	C CAPACITOR				DR 48	2001-000591	C RESISTOR		
	DC 72	2202-000781	C CAPACITOR				DR 49	2001-000734	C RESISTOR		
	DC 73	2301-000407	C CAPACITOR				DR 50	2001-000613	C RESISTOR		
	DC 74	2202-000243	C CAPACITOR				DR 58	2001-000325	C RESISTOR		
	DC 75	2202-000243	C CAPACITOR				DR 59	2001-000331	C RESISTOR		
	DD 1	1N4148	GE DIODE				DR 61	2001-000734	C RESISTOR		
	DD 2	1N4148	GE DIODE				DR 62	2001-000786	C RESISTOR		
	DD 3	1N4148	GE DIODE				DR 63	2001-000591	C RESISTOR		
	DD 4	1N4148	GE DIODE				DR 64	2001-000290	C RESISTOR		
	DIC 1	KA22291	TRANSISTOR	PREAMP			DR 65	2001-000429	C RESISTOR		
	DIC 2	KA4558	TRANSISTOR	OP AMP			DR 66	2001-000003	C RESISTOR		
	DL 1	AH26-10002Y	COIL	BIAS-TRAP			DR 67	2001-000924	C RESISTOR		
	DL 2	AH26-10002Y	COIL	BIAS-TRAP			DR 68	2001-000290	C RESISTOR		
	DL 5	AH27-00018A	COIL	BAIS-OSC 85K			DR 69	2001-000331	C RESISTOR		
	DQ 1	KSC2331-Y-TA	TRANSISTOR				DR 70	2001-000003	C RESISTOR		
	DQ 2	KSA928A	TRANSISTOR				DR 71	2001-000397	C RESISTOR	RN 1/8T 180K-J	
	DQ 3	KSC945-YTA	TRANSISTOR				DR 72	2001-000977	C RESISTOR		
	DQ 4	KSR1003TA	TRANSISTOR				DR 73	2001-000449	C RESISTOR		
	DQ 5	KSC1008-YTA	TRANSISTOR				DR 74	2001-000786	C RESISTOR		
	DQ 6	KSC1008-YTA	TRANSISTOR				DR 75	2001-000449	C RESISTOR		
	DQ 7	KSC1008-YTA	TRANSISTOR				DR 76	2001-000429	C RESISTOR		
	DQ 8	KSC1008-YTA	TRANSISTOR				DR 77	2001-000522	C RESISTOR		
	DQ 9	KSR2003TA	TRANSISTOR				DR 78	2001-000734	C RESISTOR		
	DQ 10	KSR1003TA	TRANSISTOR				DR 79	2001-000449	C RESISTOR		
	DQ 11	KSC945-YTA	TRANSISTOR				DR 80	2001-000449	C RESISTOR		
	DQ 12	KSC945-YTA	TRANSISTOR				DR 81	2001-000449	C RESISTOR		
	DQ 13	KSC945-YTA	TRANSISTOR				DR 82	2001-000449	C RESISTOR		
	DQ 14	KSC945-YTA	TRANSISTOR				DR 83	2001-000449	C RESISTOR		
	DQ 15	KSR2003TA	TRANSISTOR				DR 84	2001-000449	C RESISTOR		
	DQ 16	KSC945-YTA	TRANSISTOR				DR 85	2001-000786	C RESISTOR		
	DQ 17	KSC945-YTA	TRANSISTOR				DR 86	2001-000734	C RESISTOR		
	DQ 18	KSR2003TA	TRANSISTOR				DR 87	2001-000522	C RESISTOR		
	DQ 20	KSR1003TA	TRANSISTOR				DR 88	2001-000449	C RESISTOR		
	DR 1	2001-000429	C RESISTOR				DR 89	2001-000008	C RESISTOR		
	DR 2	2001-000440	C RESISTOR				DR 90	2001-000591	C RESISTOR		
	DR 3	2001-000734	C RESISTOR				DR 91	2001-000008	C RESISTOR		
	DR 5	2001-000290	C RESISTOR				DR 92	2001-000591	C RESISTOR		
	DR 6	2001-001095	C RESISTOR				DR 93	2001-000591	C RESISTOR		
	DR 7	2001-000786	C RESISTOR				DR 94	2001-000864	C RESISTOR		
	DR 8	2001-000591	C RESISTOR				DR 95	2001-000449	C RESISTOR		
	DR 9	2001-000290	C RESISTOR				DR 96	2001-000864	C RESISTOR		
	DR 10	2001-000429	C RESISTOR				DR 97	2001-000525	C RESISTOR		
	DR 11	2001-000708	C RESISTOR				DR 98	2001-000449	C RESISTOR		
	DR 12	2001-000924	C RESISTOR				DR 99	2001-000563	C RESISTOR		
	DR 13	2001-000005	C RESISTOR				DR100	2001-000258	C RESISTOR		
	DR 15	2001-000290	C RESISTOR				DR101	2001-000281	C RESISTOR		
	DR 16	2001-000290	C RESISTOR				DR102	2001-000281	C RESISTOR		
	DR 18	2001-000734	C RESISTOR				DVR 1	2103-000248	SEMI F.VR.		
	DR 19	2001-000290	C RESISTOR				DVR 2	2103-000248	SEMI F.VR.		
	DR 20	2001-000924	C RESISTOR				DVR 3	2103-000492	SEMI F.VR.		
	DR 21	2001-000331	C RESISTOR	RN 1/8T 180K-J			DW 1	3711-003111	CONNECTOR		
	DR 22	2001-000864	C RESISTOR				DW 2	3711-003107	CONNECTOR		

■ Electrical parts list(Main Board)

Block No. 01

△	Item	Parts number	Parts name	Remarks	Area	△	Item	Parts number	Parts name	Remarks	Area
	DW 3	3711-003107	CONNECTOR				FQ 4	KSD471-YTA	TRANSISTOR		
	EC 1	2401-001912	E CAPACITOR				FR 1	2001-000613	C RESISTOR		
	EC 2	2401-001912	E CAPACITOR				FR 2	2001-000241	C RESISTOR		
	EC 3	2202-000796	C CAPACITOR				FR 3	2001-000023	C RESISTOR		
	EC 4	2202-000809	C CAPACITOR				FR 4	2001-000281	C RESISTOR		
	EC 5	2401-001889	E CAPACITOR				FR 5	2001-000281	C RESISTOR		
	EC 6	2401-000907	E CAPACITOR				FR 6	2001-000281	C RESISTOR		
	EC 7	2202-000796	C CAPACITOR				FR 7	2001-000613	C RESISTOR		
	EC 8	2202-000796	C CAPACITOR				FR 8	2001-000411	C RESISTOR		
	EC 9	2202-000781	C CAPACITOR				FR 9	2001-000008	C RESISTOR		
	EC 10	2202-000148	C CAPACITOR				FR 11	2001-000397	C RESISTOR		
	EC 11	2202-000817	C CAPACITOR				FR 12	2001-000786	C RESISTOR		
	EC 12	2202-000817	C CAPACITOR				FR 13	2001-000613	C RESISTOR		
	EC 18	2401-001511	E CAPACITOR				FR 14	2001-000786	C RESISTOR		
	ECW 1	3711-001011	CONNECTOR				FR 15	2001-000702	C RESISTOR		
	ED 1	1N4148	GE DIODE				FR 16	2001-000429	C RESISTOR		
	ED 2	1N4148	GE DIODE				FR 17	2001-000429	C RESISTOR		
	EIC 1	M65855	IC	SOUND CONT			FR 18	2001-000977	C RESISTOR		
	EQ 1	KSR1003TA	TRANSISTOR				FR 19	2001-000221	C RESISTOR		
	EQ 2	KSR1003TA	TRANSISTOR				FW 1	3711-004109	CONNECTOR		
	EQ 3	KSR1003TA	TRANSISTOR				FW 2	3711-002809	CONNECTOR		
	ER 1	2001-000660	C RESISTOR				JW122	2202-000854	C CAPACITOR		
	ER 2	2001-000411	C RESISTOR				PC 1	2401-002592	E CAPACITOR		
	ER 3	2001-000273	C RESISTOR				PC 2	2401-002592	E CAPACITOR		
	ER 4	2001-000522	C RESISTOR				PC 3	2201-000783	C CAPACITOR		
	ER 5	2001-000977	C RESISTOR				PC 4	2201-000783	C CAPACITOR		
	ER 6	2001-000290	C RESISTOR				PC 5	2201-000783	C CAPACITOR		
	ER 7	2001-000319	C RESISTOR				PC 6	2201-000783	C CAPACITOR		
	ER 8	2001-000563	C RESISTOR				PC 7	2401-003116	E CAPACITOR		
	ER 9	2001-000429	C RESISTOR				PC 8	2401-001413	E CAPACITOR		
	ER 11	2001-000273	C RESISTOR				PC 9	2401-001954	E CAPACITOR		
	ER 12	2001-000734	C RESISTOR				PC 10	2401-001954	E CAPACITOR		
	ER 13	2001-000008	C RESISTOR				PC 11	2401-001895	E CAPACITOR		
	ER 14	2001-000290	C RESISTOR				PC 13	2401-001895	E CAPACITOR		
	ER 15	2001-000290	C RESISTOR				PC 14	2401-001954	E CAPACITOR		
	FC 1	2301-000375	C CAPACITOR				PC 15	2401-001954	E CAPACITOR		
	FC 2	2301-000375	C CAPACITOR				PC 16	2401-001912	E CAPACITOR		
	FC 3	2201-000928	C CAPACITOR				PC 17	2401-000475	E CAPACITOR		
	FC 5	2401-001511	E CAPACITOR				PC 18	2401-001511	E CAPACITOR		
	FC 7	2301-000375	C CAPACITOR				PC 19	2401-000475	E CAPACITOR		
	FC 8	2201-000928	C CAPACITOR				PC 20	2401-000230	E CAPACITOR		
	FC 10	2202-000781	C CAPACITOR				PC 21	2401-001954	E CAPACITOR		
	FC 11	2301-000375	C CAPACITOR				PC 23	2201-000783	C CAPACITOR		
	FC 12	2202-000781	C CAPACITOR				PC 24	2201-000783	C CAPACITOR		
	FC 14	2401-001912	E CAPACITOR				PC 25	2401-001538	E CAPACITOR		
	FC 15	2401-001912	E CAPACITOR				PC 26	2401-001538	E CAPACITOR		
	FC 16	2201-000368	C CAPACITOR				PC 27	2301-000449	C CAPACITOR		
	FC 17	2201-000368	C CAPACITOR				PC 28	2401-000795	E CAPACITOR		
	FC 18	2401-001954	E CAPACITOR				PC 29	2401-001511	E CAPACITOR		
	FC 19	2401-001912	E CAPACITOR				PC 30	2201-000565	C CAPACITOR		
	FC 20	2401-001912	E CAPACITOR				PC 31	2401-001895	E CAPACITOR		
	FC 21	2301-000379	C CAPACITOR				PC 32	2401-001895	E CAPACITOR		
	FC 22	2201-000504	C CAPACITOR				PC 33	2202-000797	C CAPACITOR		
	FC 23	2401-001912	E CAPACITOR				PCW 1	AH39-00144A	LEAD-CONNECTOR	9P	
	FC 24	2401-001912	E CAPACITOR				PC200	2401-000795	E CAPACITOR		
	FC 25	2401-001912	E CAPACITOR				PD 2	1N5392	DIODE		
	FC 26	2401-001912	E CAPACITOR				PD 3	1N5392	DIODE		
	FD 1	1N4148	GE DIODE				PD 4	1N5392	DIODE		
	FIC 1	LC75341	IC	VOLUME/TONE CON			PD 5	1N5392	DIODE		
	FJACK	3722-000377	JACK-RCA	4P/2C			PD 6	1N4002	DIODE		
	FQ 1	KSR1009TA	TRANSISTOR				PD 7	1N4002	DIODE		
	FQ 2	KSR1009TA	TRANSISTOR				PD 8	1N4002	DIODE		
	FQ 3	KSR2003TA	TRANSISTOR				PD 9	1N5392	DIODE		

■ Electrical parts list(Main Board)

Block No. 01

△	Item	Parts number	Parts name	Remarks	Area
	PD 10	1N5392	DIODE		
	PIC 1	KA7812-ABC	IC	REGULATOR	
	PIC 2	KA7805-AB	IC	REGULATOR +	
	PIC 3	KA7912-AB	IC	REGULATOR -	
	PL 1	2701-000116	INDUCTOR-AXIAL		
	PL 2	2701-000298	INDUCTOR-AXIAL	AX470UH	
	PQ 1	2SB1566/EF/	TRANSISTOR	POWER	
	PQ 2	2SB1566/EF/	TRANSISTOR	POWER	
	PQ 3	KSC1009-YTA	TRANSISTOR		
	PQ 4	KSC945-YTA	TRANSISTOR		
	PQ 5	KSA708-YTA	TRANSISTOR		
	PQ 6	KSA928A	TRANSISTOR		
	PQ 8	KSD471-YTA	TRANSISTOR		
	PQ 9	KSR1003TA	TRANSISTOR		
	PQ 10	KSA708-YTA	TRANSISTOR		
	PQ 11	KTC4369-Y	TRANSISTOR	POWER	
	PR 1	2003-000690	OM RESISTOR		
	PR 3	2001-000786	C RESISTOR		
	PR 4	2001-000793	C RESISTOR		
	PR 5	2008-000135	FUSE RESISTOR		
	PR 6	2008-000135	FUSE RESISTOR		
	PR 7	2008-000135	FUSE RESISTOR		
	PR 8	2001-000890	C RESISTOR		
	PR 9	2001-000613	C RESISTOR		
	PR 10	2001-000734	C RESISTOR		
	PR 11	2003-000701	OM RESISTOR		
	PR 12	2001-001096	C RESISTOR		
	PR 13	2001-001153	C RESISTOR		
	PR 14	2001-000290	C RESISTOR		
	PR 15	2001-000522	C RESISTOR		
	PR 16	2001-000786	C RESISTOR		
	PR 17	2001-000734	C RESISTOR		
	PR 18	2001-000977	C RESISTOR		
	PR 19	2001-000290	C RESISTOR		
	PR 20	2003-000690	OM RESISTOR		
	PR 21	2001-000290	C RESISTOR		
	PR 22	2001-000522	C RESISTOR		
	PR 23	2001-000780	C RESISTOR		
	PR 25	2001-000563	C RESISTOR		
	PR 26	2003-000468	OM RESISTOR		
	PR 27	2001-000027	C RESISTOR		
	PZD 1	TZP16A	ZENER DIODE		
	PZD 2	TZP16A	ZENER DIODE		
	PZD 3	UZP5.6B	ZENER DIODE		
	PZD 4	UZ5.1BSB	ZENER DIODE		
	PZD 5	UZP10B	ZENER DIODE		
	PZD 6	UZP10B	ZENER DIODE		
	PZD 7	UZ5.1BSB	ZENER DIODE		
	PZD 8	UZP10B	ZENER DIODE		
	RC 1	2201-000546	C CAPACITOR		
	RCW 1	3711-001167	CONNECTOR	BOX 9P	
	RCW 2	3711-000190	CONNECTOR		
	RF 1	3601-001204	FUSE	GMC-1.6A	
	RR 1	2008-000135	FUSE RESISTOR		
	RR 2	2008-000135	FUSE RESISTOR		
	RR 3	2008-000137	FUSE RESISTOR		
	RR 4	2008-000137	FUSE RESISTOR		
	RUCL1	3602-000147	FUSE CLIP		
	TO CH	AH39-50001L	LEAD-FASTEN		
	VC 1	2401-001912	E CAPACITOR		
	VC 2	2401-002180	E CAPACITOR		
	VC 3	2401-001912	E CAPACITOR		
	VC 4	2401-001912	E CAPACITOR		

△	Item	Parts number	Parts name	Remarks	Area
	VC 5	2401-001912	E CAPACITOR		
	VC 6	2401-002180	E CAPACITOR		
	VC 7	2202-000781	C CAPACITOR		
	VC 8	2202-000781	C CAPACITOR		
	VC 9	2202-000262	C CAPACITOR		
	VC 10	2202-000263	C CAPACITOR		
	VC 12	2401-001954	E CAPACITOR		
	VC 13	2401-001954	E CAPACITOR		
	VC 14	2401-001954	E CAPACITOR		
	VC 15	2202-000854	C CAPACITOR		
	VC200	2202-000279	C CAPACITOR		
	VIC 1	BA4560	IC	OP AMP	
	VIC 2	BA4560	IC	OP AMP	
	VQ 1	KSR2003TA	TRANSISTOR		
	VQ 2	KSR1003TA	TRANSISTOR		
	VQ 3	KSR2003TA	TRANSISTOR		
	VQ 4	KSC945-YTA	TRANSISTOR		
	VQ 7	KSC945-YTA	TRANSISTOR		
	VQ 8	KSC945-YTA	TRANSISTOR		
	VQ 9	KSC945-YTA	TRANSISTOR		
	VQ 10	KSC945-YTA	TRANSISTOR		
	VQ 11	KSC945-YTA	TRANSISTOR		
	VR 1	2001-000660	C RESISTOR		
	VR 2	2001-000660	C RESISTOR		
	VR 3	2001-000660	C RESISTOR		
	VR 4	2001-000734	C RESISTOR		
	VR 5	2001-000290	C RESISTOR		
	VR 6	2001-000522	C RESISTOR		
	VR 7	2001-000273	C RESISTOR		
	VR 8	2001-000522	C RESISTOR		
	VR 9	2001-000522	C RESISTOR		
	VR 10	2001-000734	C RESISTOR		
	VR 11	2001-000734	C RESISTOR		
	VR 15	2001-000411	C RESISTOR		
	VR 16	2001-000734	C RESISTOR		
	VR 17	2001-000734	C RESISTOR		
	VR 19	2001-000522	C RESISTOR		
	VR 20	2001-000522	C RESISTOR		
	VR 21	2001-000331	C RESISTOR		
	VR 22	2001-000734	C RESISTOR		
	VR 23	2001-000734	C RESISTOR		
	VR 24	2001-000411	C RESISTOR		
	VR 25	2001-000734	C RESISTOR		
	VR 26	2001-000786	C RESISTOR		
	VR 27	2001-000786	C RESISTOR		
	VR 28	2001-000331	C RESISTOR		
	VR 29	2001-000331	C RESISTOR		
	VR 30	2001-000331	C RESISTOR		
	VR 31	2001-000273	C RESISTOR		
	VR 32	2001-000786	C RESISTOR		
	VR 35	2001-000786	C RESISTOR		
	VR 36	2001-000331	C RESISTOR		
	VR 37	2001-000273	C RESISTOR		
	VR 38	2001-000331	C RESISTOR		
	VR 39	2001-000786	C RESISTOR		
	VR 40	2001-000786	C RESISTOR		
	VR200	2001-000786	C RESISTOR		
	VR201	2001-000786	C RESISTOR		

■ Electrical parts list(Tuner Board)

Block No. 02

△	Item	Parts number	Parts name	Remarks	Area	△	Item	Parts number	Parts name	Remarks	Area
	ANT	AH27-00012A	OSC COIL				TIC 1	LA1837	IC		
	FMPAK	AH40-00003A	TUNER PACK				TJ 1	3716-000210	ANT TARMINAL		
	HIC 1	LC72131D	IC	PLL			TJ 2	3711-000814	CONNECTOR		
	HR 1	2007-000586	CHIP RESISTOR				TJW41	2007-000029	CHIP RESISTOR		
	JW100	2007-000029	CHIP RESISTOR				TJW42	2007-000029	CHIP RESISTOR		
	OSC	AH27-00008A	OSC COIL				TL 2	AH26-10001E	IFT		
	TC 1	2203-000609	C CAPASITOR				TL 3	AH26-10020A	TRANS DET		
	TC 2	2203-001517	C CAPASITOR				TLPF1	AH26-00005A	IFT		
	TC 3	2203-000260	C CAPASITOR				TLPF2	AH26-00005A	IFT		
	TC 4	2401-001975	C CAPASITOR				TQ 1	KSC945-YTA	TRANSISTOR		
	TC 5	2203-000609	C CAPASITOR				TQ 2	KSC838-OTA	TRANSISTOR		
	TC 6	2203-000979	C CAPASITOR				TQ 3	KSC838-OTA	TRANSISTOR		
	TC 7	2203-000429	C CAPASITOR				TQ 4	KSA708-YTA	TRANSISTOR		
	TC 9	2401-001975	C CAPASITOR				TR 1	2001-000331	C RESISTOR		
	TC 10	2203-000979	C CAPASITOR				TR 2	2007-000300	CHIP RESISTOR		
	TC 11	2401-001912	E CAPACITOR				TR 3	2001-000449	C RESISTOR		
	TC 12	2401-000419	E CAPACITOR				TR 4	2007-000872	CHIP RESISTOR		
	TC 13	2203-000979	C CAPASITOR				TR 5	2001-000281	C RESISTOR		
	TC 14	2201-000565	C CAPACITOR				TR 6	2007-000030	CHIP RESISTOR		
	TC 15	2203-000979	C CAPASITOR				TR 7	2007-000518	CHIP RESISTOR		
	TC 16	2401-001954	E CAPACITOR				TR 8	2007-000822	CHIP RESISTOR		
	TC 17	2401-001912	E CAPACITOR				TR 9	2007-000468	CHIP RESISTOR		
	TC 18	2401-001968	C CAPACITOR				TR 10	2007-000308	CHIP RESISTOR		
	TC 19	2401-001912	E CAPACITOR				TR 11	2007-000572	CHIP RESISTOR		
	TC 20	2203-000260	C CAPASITOR				TR 12	2007-000686	CHIP RESISTOR		
	TC 21	2401-000240	E CAPACITOR				TR 13	2001-000515	C RESISTOR		
	TC 23	2401-001954	E CAPACITOR				TR 15	2007-000586	CHIP RESISTOR		
	TC 25	2401-001954	E CAPACITOR				TR 16	2001-000527	C RESISTOR		
	TC 26	2401-000419	E CAPACITOR				TR 17	2007-000981	CHIP RESISTOR		
	TC 27	2401-000419	E CAPACITOR				TR 18	2001-000449	C RESISTOR		
	TC 28	2203-000260	C CAPASITOR				TR 19	2007-000282	CHIP RESISTOR		
	TC 29	2203-000260	C CAPASITOR				TR 20	2007-000409	CHIP RESISTOR		
	TC 30	2401-000419	E CAPACITOR				TR 21	2007-000300	CHIP RESISTOR		
	TC 32	2203-001132	C CAPASITOR				TR 22	2007-000300	CHIP RESISTOR		
	TC 33	2203-000844	C CAPASITOR				TR 23	2007-000710	CHIP RESISTOR		
	TC 34	2401-000907	E CAPACITOR				TR 24	2007-000290	CHIP RESISTOR		
	TC 35	2203-000979	C CAPASITOR				TR 25	2007-001043	CHIP RESISTOR		
	TC 36	2401-001022	E CAPACITOR				TR 27	2007-001071	CHIP RESISTOR		
	TC 38	2401-001164	E CAPACITOR				TR 28	2007-000457	CHIP RESISTOR		
	TC 39	2201-000565	C CAPACITOR				TR 29	2007-000686	CHIP RESISTOR		
	TC 40	2202-000796	C CAPACITOR				TR 30	2001-000117	C RESISTOR		
	TC 41	2203-000239	C CAPASITOR				TR 32	2001-000429	C RESISTOR		
	TC 42	2202-000796	C CAPACITOR				TR 34	2001-000429	C RESISTOR		
	TC 43	2401-001968	C CAPACITOR				TR 35	2007-000493	CHIP RESISTOR		
	TC 44	2203-000260	C CAPASITOR				TR 36	2007-000493	CHIP RESISTOR		
	TC 45	2203-000979	C CAPASITOR				TR 37	2007-000586	CHIP RESISTOR		
	TC 46	2401-000240	E CAPACITOR				TR 38	2007-001177	CHIP RESISTOR		
	TC 47	2401-001895	E CAPACITOR				TR 39	2001-000290	C RESISTOR		
	TC 48	2202-000807	C CAPASITOR				TR 40	2001-000522	C RESISTOR		
	TC 50	2203-001611	C CAPASITOR				TR 41	2001-000522	C RESISTOR		
	TC 51	2203-001611	C CAPASITOR				TR 42	2001-000734	C RESISTOR		
	TC 61	2203-001105	C CAPASITOR				TR 43	2007-000290	CHIP RESISTOR		
	TC 62	2203-001105	C CAPASITOR				TR 44	2001-000118	C RESISTOR		
	TC 63	2203-001551	C CAPASITOR				TR 45	2007-000282	CHIP RESISTOR		
	TC 64	2203-001551	C CAPASITOR				TR 46	2007-000300	CHIP RESISTOR		
	TC100	2201-000389	C CAPACITOR				TR 47	2007-000282	CHIP RESISTOR		
	TD 3	1N4148	GE DIODE				TR 48	2007-000300	CHIP RESISTOR		
	TD 4	1N4148	GE DIODE				TR 49	2007-000282	CHIP RESISTOR		
	TD 5	1N4148	GE DIODE				TR 50	2007-000300	CHIP RESISTOR		
	TD 6	1N4148	GE DIODE				TR 51	2007-000872	CHIP RESISTOR		
	TFL 1	2903-000119	CERAMIC FILTER	SFE10.7MJA-10-A			TR 52	2007-000468	CHIP RESISTOR		
	TFL 2	2903-000105	CERAMIC FILTER	10.7MHZ			TR 53	2007-000300	CHIP RESISTOR		
	TFL 4	14529-304-610	CERAMIC FILTER	AHCM2-450BL			TR 54	2007-000300	CHIP RESISTOR		

■ Electrical parts list(Tuner Board)

Block No. 02

△	Item	Parts number	Parts name	Remarks	Area
	TR 55	2001-000429	C RESISTOR		
	TR 56	2007-000300	CHIP RESISTOR		
	TR 57	2001-000290	C RESISTOR		
	TR 58	2001-000273	C RESISTOR		
	TR 61	2001-000591	C RESISTOR		
	TR 62	2001-000591	C RESISTOR		
	TR100	2001-000527	C RESISTOR		
	TR101	2007-000033	CHIP RESISTOR		
	TR102	2007-000033	CHIP RESISTOR		
	TR103	2007-000033	CHIP RESISTOR		
	TR104	2007-000033	CHIP RESISTOR		
	TR105	2007-000029	CHIP RESISTOR		
	TSR 1	2103-000290	VR-SEMI F.VR		
	TWA 1	3710-001421	C/SOCKET	14P	
	TX 1	2801-000734	CRYSTAL UNIT	7.2MHZ	
	TZD 1	UZ7.5BSC	ZENER DIODE	7.5V	
	TZD 2	UZP5.1B	ZENER DIODE	5.1V	
	VVC 1	KV1260	VARI-CAPA		

■ Electrical parts list(Front Board)

Block No. 03

△	Item	Parts number	Parts name	Remarks	Area	△	Item	Parts number	Parts name	Remarks	Area
	GND 1	AH39-50001L	LEAD-FASTEN				UD 21	1N4002	DIODE		
	REEYE	GP1U281R	IFR DETECT UNIT				UD 22	1N4002	DIODE		
	SW 1	3404-000165	TACT SWITCH				UD 23	1N4148	GE DIODE		
	SW 2	3404-000165	TACT SWITCH				UD 24	1N4002	DIODE		
	SW 3	3404-000165	TACT SWITCH				UD 25	1N4148	GE DIODE		
	SW 4	3404-000165	TACT SWITCH				UD 26	1N4148	GE DIODE		
	SW 5	3404-000165	TACT SWITCH				UD 27	1N4148	GE DIODE		
	SW 6	3404-000165	TACT SWITCH				UD 28	1N4148	GE DIODE		
	SW 7	3404-000165	TACT SWITCH				UD 29	1N4148	GE DIODE		
	SW 8	3404-000165	TACT SWITCH				UD 30	1N4002	DIODE		
	SW 9	3404-000165	TACT SWITCH				UIC 1	LC86P6548-5P31	IC		
	SW 10	3404-000165	TACT SWITCH				UIC 2	NJU3711M	IC		
	SW 11	3404-000165	TACT SWITCH				UIC 3	BA4560	IC		
	SW 12	3404-000165	TACT SWITCH				ULD 1	LTL-1CHESS-UA	LED		
	SW 13	3404-000165	TACT SWITCH				UMC 1	2401-001952	E CAPACITOR		
	SW 14	3404-000165	TACT SWITCH				UMC 2	2401-001912	E CAPACITOR		
	SW 15	3404-000165	TACT SWITCH				UMC 3	2401-001912	E CAPACITOR		
	SW 16	3404-000165	TACT SWITCH				UMC 4	2401-001912	E CAPACITOR		
	SW 17	3404-000165	TACT SWITCH				UMC 5	2401-001975	E CAPACITOR		
	SW 18	3404-000165	TACT SWITCH				UMC 6	2401-000907	E CAPACITOR		
	SW 19	3404-000165	TACT SWITCH				UMC 7	2401-001952	E CAPACITOR		
	SW 20	3404-000165	TACT SWITCH				UMC 8	2201-000573	C CAPACITOR		
	SW 21	3404-000165	TACT SWITCH				UMC 9	2201-000652	C CAPACITOR		
	SW 22	3404-000165	TACT SWITCH				UMC10	2201-000144	C CAPACITOR		
	SW 23	3404-000165	TACT SWITCH				UMD 1	1N4148	GE DIODE		
	SW 24	3404-000165	TACT SWITCH				UMD 2	1N4148	GE DIODE		
	SW 25	3404-000165	TACT SWITCH				UMR 1	2001-000734	C RESISTOR		
	SW 27	3404-000165	TACT SWITCH				UMR 2	2001-000734	C RESISTOR		
	SW 28	3404-000165	TACT SWITCH				UMR 3	2001-000522	C RESISTOR		
	SW 29	3404-000165	TACT SWITCH				UMR 4	2001-000734	C RESISTOR		
	SW 30	3404-000165	TACT SWITCH				UMR 5	2001-000864	C RESISTOR		
	SW 31	3404-000165	TACT SWITCH				UMR 6	2001-000734	C RESISTOR		
	SW 32	3404-000165	TACT SWITCH				UMR 7	2001-000273	C RESISTOR		
	SW 33	3404-000165	TACT SWITCH				UMR 8	2001-000290	C RESISTOR		
	SW 34	3404-000165	TACT SWITCH				UMR 9	2001-000449	C RESISTOR		
	UC 1	2401-000475	E CAPACITOR				UMR10	2001-000290	C RESISTOR		
	UC 2	2401-000475	E CAPACITOR				UMR11	2001-000492	C RESISTOR		
	UC 3	2201-000565	C CAPACITOR				UMR12	2001-000290	C RESISTOR		
	UC 4	2201-000565	C CAPACITOR				UMR13	2001-000472	C RESISTOR		
	UC 5	2201-000565	C CAPACITOR				UMR14	2001-000734	C RESISTOR		
	UC 6	2401-000244	E CAPACITOR				UQ 1	KSC945-YTA	TRANSISTOR		
	UC 7	2201-000825	C CAPACITOR				UQ 2	KSC945-YTA	TRANSISTOR		
	UC 8	2201-000825	C CAPACITOR				UQ 3	KSA928A	TRANSISTOR		
	UC 9	2201-000247	C CAPACITOR				UQ 4	KSR1003TA	TRANSISTOR		
	UC 10	2201-000247	C CAPACITOR				UQ 5	KSR1003TA	TRANSISTOR		
	UC 11	2401-000475	E CAPACITOR				UQ 6	KSA928A	TRANSISTOR		
	UC 12	2401-000759	E CAPACITOR				UQ 7	KSA928A	TRANSISTOR		
	UC 13	2401-001952	E CAPACITOR				UQ 8	KSR1003TA	TRANSISTOR		
	UC 15	2202-000854	C CAPACITOR				UQ 9	KSC945-YTA	TRANSISTOR		
	UC 16	2201-000300	C CAPACITOR				UQ 10	KSR1003TA	TRANSISTOR		
	UC 17	2202-000797	C CAPACITOR				UQ 15	KSR1003TA	TRANSISTOR		
	UC 18	2202-000797	C CAPACITOR				UQ 16	KSC945-YTA	TRANSISTOR		
	UC 30	2401-001355	E CAPACITOR				UQ 17	KSC945-YTA	TRANSISTOR		
	UCW 1	3711-004420	CONNECTOR	TMC-D10P			UR 1	2001-000258	C RESISTOR		
	UCW 2	3711-004424	CONNECTOR	TMC-D20P			UR 2	2001-000405	C RESISTOR	RN 1/8T 180-J	
	UCW 3	3708-000454	CONNECTOR	22P			UR 3	2001-000241	C RESISTOR		
	UCW 5	AH39-00157C	CONNECTOR				UR 4	2001-000429	C RESISTOR		
	UCW 6	AH39-00157B	CONNECTOR				UR 5	2001-000429	C RESISTOR		
	UCW 7	3711-000906	CONNECTOR				UR 6	2001-000429	C RESISTOR		
	UCW 8	3708-000451	CONNECTOR	16P			UR 7	2001-000734	C RESISTOR		
	UCW 9	AH39-00157A	LEAD CONNECTOR	3P			UR 8	2001-000734	C RESISTOR		
	UCW8	3809-001146	CABLE FLAT				UR 9	2001-000734	C RESISTOR		
	UD 20	1N4002	DIODE				UR 10	2001-000734	C RESISTOR		

■ Electrical parts list(Front Board)

Block No. 03

△	Item	Parts number	Parts name	Remarks	Area
	UR 11	2001-000734	C RESISTOR		
	UR 12	2001-000734	C RESISTOR		
	UR 13	2001-000734	C RESISTOR		
	UR 14	2001-000734	C RESISTOR		
	UR 15	2001-000734	C RESISTOR		
	UR 16	2001-000734	C RESISTOR		
	UR 17	2001-000734	C RESISTOR		
	UR 20	2001-000290	C RESISTOR		
	UR 21	2001-000290	C RESISTOR		
	UR 22	2001-000290	C RESISTOR		
	UR 23	2001-000290	C RESISTOR		
	UR 24	2001-000281	C RESISTOR		
	UR 25	2001-000429	C RESISTOR		
	UR 26	2001-000429	C RESISTOR		
	UR 27	2001-000429	C RESISTOR		
	UR 28	2001-000429	C RESISTOR		
	UR 29	2001-000429	C RESISTOR		
	UR 30	2001-000429	C RESISTOR		
	UR 31	2001-000591	C RESISTOR		
	UR 32	2001-000429	C RESISTOR		
	UR 33	2001-000429	C RESISTOR		
	UR 34	2001-000429	C RESISTOR		
	UR 35	2001-000429	C RESISTOR		
	UR 36	2001-000429	C RESISTOR		
	UR 37	2001-000429	C RESISTOR		
	UR 38	2001-000290	C RESISTOR		
	UR 39	2001-000290	C RESISTOR		
	UR 40	2001-000290	C RESISTOR		
	UR 41	2001-000290	C RESISTOR		
	UR 42	2001-000281	C RESISTOR		
	UR 43	2001-000281	C RESISTOR		
	UR 44	2001-000281	C RESISTOR		
	UR 45	2001-000281	C RESISTOR		
	UR 46	2001-000734	C RESISTOR		
	UR 47	2001-000449	C RESISTOR		
	UR 48	2001-000591	C RESISTOR		
	UR 49	2001-000449	C RESISTOR		
	UR 50	2001-000258	C RESISTOR		
	UR 51	2001-001178	C RESISTOR		
	UR 52	2001-000241	C RESISTOR		
	UR 53	2001-000429	C RESISTOR		
	UR 54	2001-000734	C RESISTOR		
	UR 55	2001-000591	C RESISTOR		
	UR 56	2001-000508	C RESISTOR		
	UR 57	2001-000793	C RESISTOR		
	UR 58	2001-000429	C RESISTOR		
	UR 59	2001-000241	C RESISTOR		
	UR 60	2001-000258	C RESISTOR		
	UR 61	2001-000273	C RESISTOR		
	UR 62	2001-000273	C RESISTOR		
	UR 63	2001-000273	C RESISTOR		
	UR 64	2001-000273	C RESISTOR		
	UR 65	2001-000429	C RESISTOR		
	UR 66	2001-000429	C RESISTOR		
	UR 67	2001-000449	C RESISTOR		
	UR 68	2001-000281	C RESISTOR		
	UR 69	2001-000281	C RESISTOR		
	UR 70	2001-000281	C RESISTOR		
	UR 71	2001-000429	C RESISTOR		
	UR 72	2001-000522	C RESISTOR		
	UR 73	2001-000429	C RESISTOR		
	UR 74	2001-000429	C RESISTOR		
	UR 75	2001-000429	C RESISTOR		

△	Item	Parts number	Parts name	Remarks	Area
	UR 76	2001-000429	C RESISTOR		
	UR 77	2001-000429	C RESISTOR		
	UR 78	2001-000429	C RESISTOR		
	UR 79	2001-000429	C RESISTOR		
	UR 80	2001-000290	C RESISTOR		
	UR 81	2001-000290	C RESISTOR		
	UR 82	2001-000429	C RESISTOR		
	UR 83	2001-000273	C RESISTOR		
	UR 84	2001-000977	C RESISTOR		
	UR 85	2001-000411	C RESISTOR		
	UR 86	2001-000786	C RESISTOR		
	UR 87	2001-000290	C RESISTOR		
	UR 88	2001-000613	C RESISTOR		
	UR 89	2001-000613	C RESISTOR		
	UR 90	2001-000613	C RESISTOR		
	UR 91	2001-001178	C RESISTOR		
	UR 92	2001-001178	C RESISTOR		
	UR 93	2001-000449	C RESISTOR		
	UR 94	2001-000591	C RESISTOR		
	UR 95	2001-000734	C RESISTOR		
	UR 96	2001-000977	C RESISTOR		
	UR 97	2001-000411	C RESISTOR		
	UR 99	2001-000522	C RESISTOR		
	UR201	2001-000273	C RESISTOR		
	UVR 1	3406-001047	ROTARY SWITCH		
	UVR 2	2103-000492	SEMI F.VR.		
	UX 1	2802-000181	CERAMIC RESONAT	6MHZ	
	UX 2	2801-001394	CRYSTAL-UNIT	32.768KHZ	
	UXR 1	2001-000850	C RESISTOR		
	UXR 2	2001-000295	C RESISTOR		
	VFD	AH07-00016A	FL DISPLAY TUBE		
	VFDHL	AH61-00252A	HOLDER-VFD		

■ Electrical parts list(CD Board)

Block No. 04

△	Item	Parts number	Parts name	Remarks	Area	△	Item	Parts number	Parts name	Remarks	Area
	CW101	AH39-20025S	CONNECTOR				NC703	2401-001102	E CAPACITOR		
	CW102	AH39-20561P	CONNECTOR				NC800	2203-000260	C CAPASITOR		
	CW500	3711-000906	CONNECTOR				NC804	2203-000260	C CAPASITOR		
	IC922	KB9223	IC	ASP			NC901	2203-000206	C CAPACITOR		
	IC925	KA9258D	IC	MOTOR DRIVER			NC903	2203-001537	C CAPACITOR		
	IC928	KS9286B	IC	DSP			NC904	2401-000240	E CAPACITOR		
	NC 1	2203-000260	C CAPASITOR				NC905	2203-000260	C CAPASITOR		
	NC 54	2401-001952	E CAPACITOR				ND200	1N4148	GE DIODE		
	NC100	2203-000892	C CAPACITOR				ND201	1N4148	GE DIODE		
	NC101	2203-000802	C CAPACITOR				ND202	1N4148	GE DIODE		
	NC102	2203-001551	C CAPASITOR				ND203	1N4148	GE DIODE		
	NC103	2203-000260	C CAPASITOR				NIC05	KA78L05Z-TA	IC	POSI.ADJUST REG	
	NC104	2203-001537	C CAPACITOR				NL100	2701-000114	INDUCTOR-AXIAL	10UH	
	NC105	2401-000240	E CAPACITOR				NL101	2701-000111	INDUCTOR-AXIAL	100UH	
	NC106	2203-000892	C CAPACITOR				NL102	2701-000111	INDUCTOR-AXIAL	100UH	
	NC106	2202-000817	C CAPACITOR				NL105	3301-000325	CORE-FERRITE BE		
	NC107	2203-000206	C CAPACITOR				NL300	3301-000297	CORE-FERRITE		
	NC108	2203-000206	C CAPACITOR				NL301	3301-000297	CORE-FERRITE		
	NC110	2203-000495	C CAPACITOR				NL302	3301-000297	CORE-FERRITE		
	NC111	2203-000802	C CAPACITOR				NR 1	2001-000429	C RESISTOR		
	NC112	2203-000260	C CAPASITOR				NR 2	2001-000429	C RESISTOR		
	NC113	2203-000260	C CAPASITOR				NR 3	2001-000429	C RESISTOR		
	NC114	2401-000419	E CAPACITOR				NR 4	2007-000468	CHIP RESISTOR		
	NC115	2203-001137	C CAPACITOR				NR 5	2007-000468	CHIP RESISTOR		
	NC116	2203-000260	C CAPASITOR				NR 6	2007-000468	CHIP RESISTOR		
	NC117	2203-000477	C CAPACITOR				NR 7	2007-000468	CHIP RESISTOR		
	NC118	2203-000787	C CAPACITOR				NR 8	2001-000429	C RESISTOR		
	NC119	2203-000206	C CAPACITOR				NR 10	2007-000468	CHIP RESISTOR		
	NC120	2203-000206	C CAPACITOR				NR 11	2007-000468	CHIP RESISTOR		
	NC121	2203-000206	C CAPACITOR				NR 12	2007-000468	CHIP RESISTOR		
	NC122	2401-001952	E CAPACITOR				NR 13	2007-000395	CHIP RESISTOR		
	NC124	2401-001324	E CAPACITOR				NR100	2007-000355	CHIP RESISTOR		
	NC125	2203-000802	C CAPACITOR				NR101	2007-000593	CHIP RESISTOR		
	NC190	2203-000429	C CAPASITOR				NR103	2007-000395	CHIP RESISTOR		
	NC200	2203-000979	C CAPASITOR				NR104	2007-000338	CHIP RESISTOR		
	NC201	2203-001551	C CAPASITOR				NR105	2007-000830	CHIP RESISTOR		
	NC202	2203-001619	C CAPACITOR				NR106	2001-000319	C RESISTOR		
	NC203	2203-001619	C CAPACITOR				NR107	2007-000338	CHIP RESISTOR		
	NC204	2401-001324	E CAPACITOR				NR108	2007-000941	CHIP RESISTOR		
	NC205	2203-000260	C CAPASITOR				NR109	2007-000282	CHIP RESISTOR		
	NC300	2202-000796	C CAPACITOR				NR111	2007-000941	CHIP RESISTOR		
	NC301	2401-000778	E CAPACITOR				NR112	2007-001039	CHIP RESISTOR		
	NC400	2202-000243	C CAPACITOR				NR113	2001-000977	C RESISTOR		
	NC50L	2401-001952	E CAPACITOR				NR114	2007-000477	CHIP RESISTOR		
	NC50R	2401-001952	E CAPACITOR				NR115	2007-000444	CHIP RESISTOR		
	NC501	2401-000240	E CAPACITOR				NR116	2007-001195	CHIP RESISTOR		
	NC502	2203-000260	C CAPASITOR				NR117	2007-000898	CHIP RESISTOR		
	NC503	2203-000260	C CAPASITOR				NR119	2007-000395	CHIP RESISTOR		
	NC504	2203-000260	C CAPASITOR				NR120	2007-000355	CHIP RESISTOR		
	NC52L	2203-001537	C CAPACITOR				NR121	2007-000355	CHIP RESISTOR		
	NC52R	2203-001537	C CAPACITOR				NR200	2007-000653	CHIP RESISTOR		
	NC53L	2203-000260	C CAPASITOR				NR201	2007-000686	CHIP RESISTOR		
	NC53R	2203-000260	C CAPASITOR				NR202	2007-000686	CHIP RESISTOR		
	NC55L	2401-001952	E CAPACITOR				NR203	2007-000282	CHIP RESISTOR		
	NC55R	2401-001952	E CAPACITOR				NR204	2007-000355	CHIP RESISTOR		
	NC600	2203-000206	C CAPACITOR				NR300	2007-000282	CHIP RESISTOR		
	NC601	2401-001895	E CAPACITOR				NR400	2007-000409	CHIP RESISTOR		
	NC602	2203-000260	C CAPASITOR				NR50L	2007-000586	CHIP RESISTOR		
	NC603	2203-001537	C CAPACITOR				NR50R	2007-000586	CHIP RESISTOR		
	NC604	2203-000979	C CAPASITOR				NR52L	2007-000653	CHIP RESISTOR		
	NC700	2401-000778	E CAPACITOR				NR52R	2007-000653	CHIP RESISTOR		
	NC701	2401-000778	E CAPACITOR				NR53L	2007-000872	CHIP RESISTOR		
	NC702	2401-000240	E CAPACITOR				NR53R	2007-000872	CHIP RESISTOR		

■ Electrical parts list(CD Board)

Block No. 04

△	Item	Parts number	Parts name	Remarks	Area
	NR54L	2007-000468	CHIP RESISTOR		
	NR54R	2007-000468	CHIP RESISTOR		
	NR55L	2007-000872	CHIP RESISTOR		
	NR55R	2007-000872	CHIP RESISTOR		
	NR555	2008-000140	C RESISTOR		
	NR57L	2007-000282	CHIP RESISTOR		
	NR57R	2007-000282	CHIP RESISTOR		
	NR602	2007-000300	CHIP RESISTOR		
	NR603	2007-000300	CHIP RESISTOR		
	NR604	2007-000468	CHIP RESISTOR		
	NR606	2007-000282	CHIP RESISTOR		
	NR804	2007-000468	CHIP RESISTOR		
	NR994	2007-001208	CHIP RESISTOR		
	NR995	2007-000830	CHIP RESISTOR		
	NR996	2007-000830	CHIP RESISTOR		
	NR997	2007-000830	CHIP RESISTOR		
	NR998	2007-000830	CHIP RESISTOR		
	NR999	2007-001208	CHIP RESISTOR		
	Q1501	KSA928A	SI.TRANSISTOR		
	Q1502	KSA812	TRANSISTOR		
	SC 1	2203-000260	C CAPASITOR		
	SC 2	2203-000260	C CAPASITOR		
	SC 5	2401-000795	E CAPACITOR		
	SC 6	2203-000260	C CAPASITOR		
	SC 14	2401-000240	E CAPACITOR		
	SCO 4	KA78L05Z-TA	IC	POSI.ADJUST REG	
	SCW 1	3708-001438	CONNECTOR	22P	
	SCW 5	3708-001131	CONNECTOR	5P	
	SCW 7	3711-003379	CONNECTOR		
	SIC 1	KA3082	IC	MOTOR DRIVER	
	SIC 2	KA3082	IC	MOTOR DRIVER	
	SL 1	2701-000179	INDUCTOR-AXIAL	33UH	
	SR 1	2001-000027	C RESISTOR		
	SR 2	2007-000872	CHIP RESISTOR		
	SR 3	2007-000468	CHIP RESISTOR		
	SR 4	2007-000468	CHIP RESISTOR		
	SZD 1	UZ4.7BM	ZENER DIODE	4.7V	
	SZD 2	UZ6.2BSB	ZENER DIODE	6.2V	
	WCW 1	3708-001252	CONNECTOR	16P	
	XF100	2802-000211	CER.RESONATOR	16.93MHZ	

■ Electrical parts list(Mic/Head Board)

Block No. 05

△	Item	Parts number	Parts name	Remarks	Area
	HC 1	2202-000796	C CAPACITOR		
	HC 2	2202-000796	C CAPACITOR		
	HC 3	2202-000263	C CAPACITOR		
	HC 4	2202-000263	C CAPACITOR		
	HCW 1	3711-001009	CONNECTOR		
	HL 1	2701-000111	INDUCTOR-AXIAL		
	HL 2	2701-000111	INDUCTOR-AXIAL		
	HR 1	2001-001178	C RESISTOR		
	HR 2	2001-001178	C RESISTOR		
	JACK1	3722-000363	HEADPHONE JACK		
	MC 1	2202-000854	C CAPACITOR		
	MCW 1	3711-001055	CONNECTOR		
	MJACK	3722-000363	MIC JACK		
	MR 1	2001-000977	C RESISTOR		
	MVR 1	2101-001068	V.RESISTOR	10K	

-MEMO-

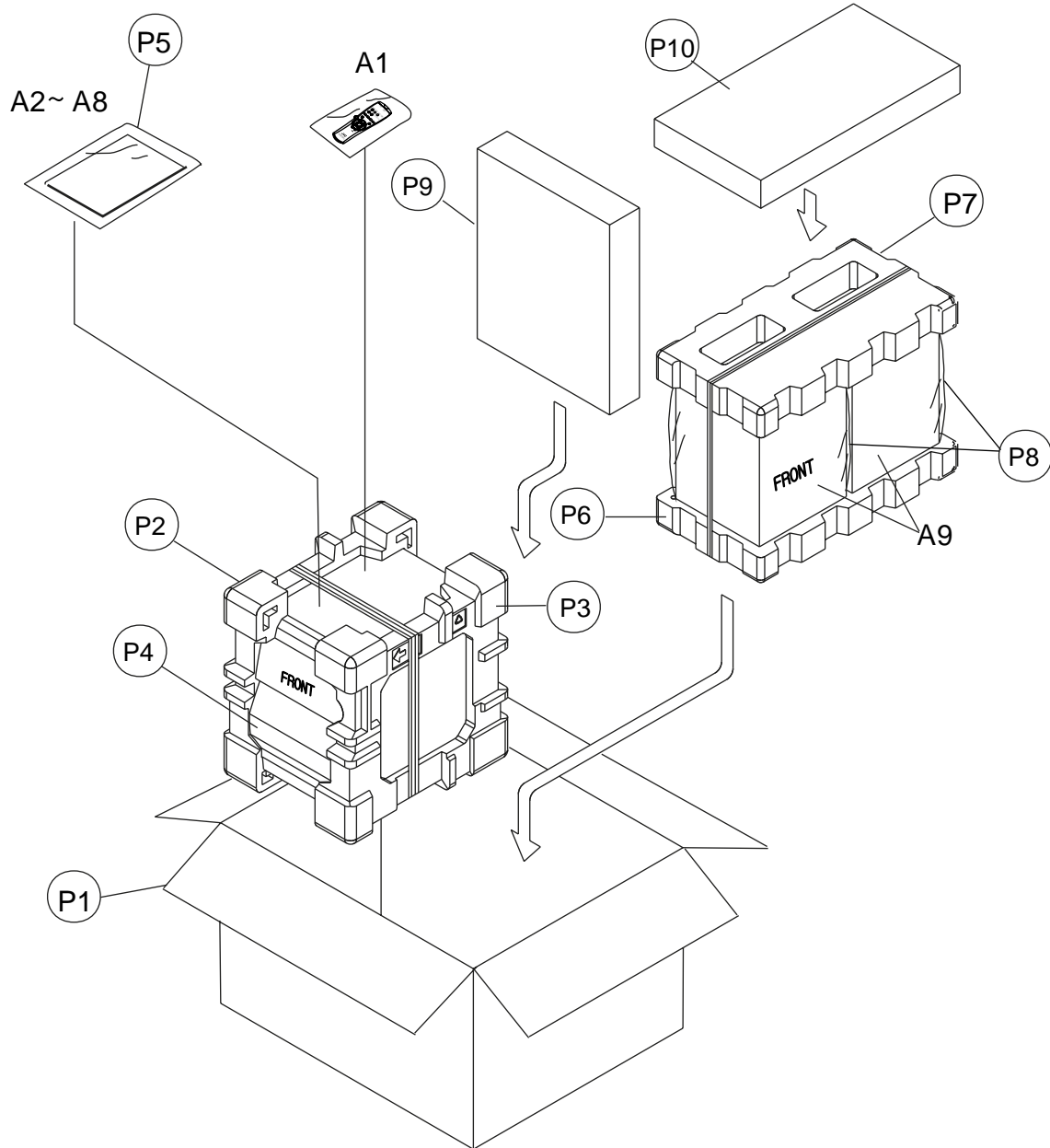
Packing materials and accessories parts list

Block No.

M	5	M	M
---	---	---	---

Block No.

M	6	M	M
---	---	---	---



Parts list(Packing)

Block No. M5MM

△	Item	Parts number	Parts name	Q'ty	Description	Area
	P 1	AH69-00180C	CARTON	1		A
		AH69-00180B	CARTON	1		
	P 2	AH69-00152A	CUSHION-L	1		
	P 3	AH69-00153A	CUSHION-R	1		
	P 4	AH69-30012T	POLY BAG	1	SET	
	P 5	QPA02503503P	POLY BAG	1	INSTRUCTIONS	
	P 6	AH81-00243M	CUSHION-BOTTOM	1	SPEAKER	
	P 7	AH81-00243L	CUSHION-TOP	1	SPEAKER	
	P 8	AH81-00243P	POLY BAG	2	SPEAKER	
	P 9	AH69-00185A	PAD-ROLE A	1		
	P 10	AH69-00185B	PAD-ROLE B	1		

Parts list(Accessories)

Block No. M6MM

△	Item	Parts number	Parts name	Q'ty	Description	Area
	A 1	AH59-00044B	REMOTE-CONTROL	1	22KEY	A
		AH59-00044C	REMOTE-CONTROL	1	22KEY	
	A 2	AH68-00337B	INSTRUCTIONS	1	CHI(PEKIN)	U,US
		AH68-00337H	INSTRUCTIONS	1	(NO E.DATA)	UT,UZ
		AH68-00337B	INSTRUCTIONS	1	ENG SPA POR	U,US
		AH68-00337P	INSTRUCTIONS	1	KOR(NO E.DATA)	UP
		AH68-00337J	INSTRUCTIONS	1	ENG	A
		AH68-00337N	INSTRUCTIONS	1	SPA	UY
		AH68-00337H	INSTRUCTIONS	1	CHI(TAIWAN)	UT,UZ
	A 3	BT-56001-2	WARRANTY CARD	1		A
		BT-56004-6	WARRANTY CARD	1		UP
	A 4	BT-56002-2	SERVICE CARD	1		A
	A 5	EWP503-001	ANTENNA WIRE	1	FM	
	A 6	QAL0014-001	LOOP ANTENNA	1	AM	
	A 7	-----	BATTERY	2		
△	A 8	QAM0027-001	SIEMENS PLUG	1		UT
△		QAM0060-001	SIEMENS PLUG	1		U,US,UZ
	A 9	MXJ100K-SPBOX	SPEAKER BOX	2		